

Shower Drains & Floor Drains

Vol. IV

AK DANUM™

Made from 100% non - magnetic & corrosion free AIS304-18/8 Stainless steel



Creating a personal cove in your home

Energising and at the same time calming, water is our sole source of inspiration. It lets us soak in innovation and emerge drenched in ideas. AK Danum strives to design a luxuriant environment that celebrates water and sheer delight it offers to us. Crafted meticulously with ease of operation, safe handling and durability, they offer a perfect bathing experience. Our exclusive range of bathroom essentials is made to deliver unrivalled water enjoyment in the most private moments.

Our Values



AK DANUM & Co.

A space for pure pleasure

Established in 1961 in Pune by Mr. Asgar Poonawalla, AK Danum has been creating beautiful bathrooms. As a seller of concept and solutions, we blend form and function to add elegance to the spaces. Take innovative shapes, fine ergonomics, world class manufacturing quality and intelligent technical details and you have the formula for AK Danum range of bathing essentials.

Today, we have a close-knit and wide-spread network of distribution and dealership. Our team is devoted 24x7 to offer prompt query resolution, service assistance and system maintenance. Our after sales service creates a niche in the premium bathing industry with its dependability and swift responses. Be it manufacturing and assembly of certain products to retail sale, we aim for nothing less than perfection at every stage.

Contents

Shower Drains	2
Floor Drains	6
Special Items	10
Heavy Duty Industrial & Hotel Drains, Parking Drains, Terrace Drains	
Shower Drain Guide	12

TIMELINE

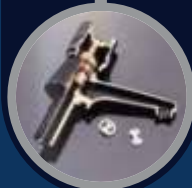
Basic Water Taps

1961



Quarter Turn
Ceramic Disc
technology
first time in India

1988



Carino Single
lever Mixers

2004



Powder Coated
Bathroom fittings
first time in India

1985



Starlet
Single Lever Mixers
unique design
& movement

1993



Shower
Enclosures

2004



Fancy Bath
Accessories

2006



Handsfree
and Sanitaryware

2007



SS Shower Drains

2013



2007

Opening
of AKDANUM
DESIGN LOUNGE
Company
Display centre

2011

SS Mirror
Cabinets

2016

LED Mirror

SHOWER DRAINS

Regular Designs



CSD - Checks Pattern

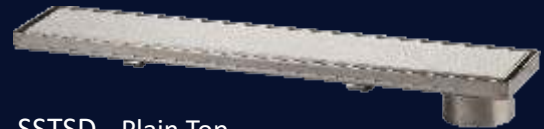


LSD - Line Pattern



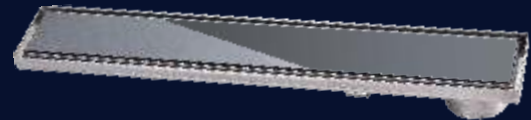
SWSD - Wave Pattern

Premium Designs

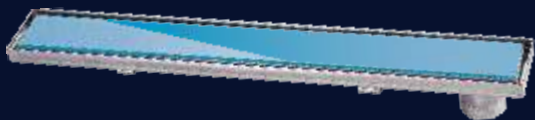


SSTSD - Plain Top

Glass Top Designs



GTSD - BK - Toughened Glass Top Black



GTSD - B - Toughened Glass Top Blue



GTSD - M - Toughened Glass Top Maroon



GTSD - IV - Toughened Glass Top Ivory



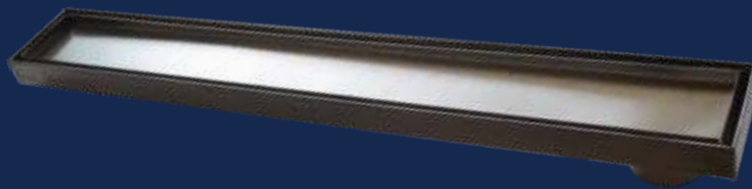
GTSD - W - Toughened Glass Top White

Finish: Matt Brush Stainless Steel for all Shower Drains

Made from 100% non - magnetic & corrosion free AIS304-18/8 Stainless steel



Premium Design



TISD
Tile / Marble Insert



LDSH
Designer Shower Drain

■ Choice of Outlet Location



Side Outlet



Centre Outlet

■ Choice of Outlet Diameter



63mm Dia



89mm Dia

Made from 100% non - magnetic & corrosion free AIS304-18/8 Stainless steel

Specifications

Available Sizes in all patterns.

Sr. No.	Size L x W	Outlet size Dia in mm.
1	300 x 84	63
2	300 x 105	89
3	600 x 84	63
4	600 x 105	89
5	750 x 84	63
6	750 x 105	89
7	900 x 84	63
8	900 x 105	89
9	1000 x 84	63
10	1000 x 105	89
11	1200 x 84	63
12	1200 x 105	89

Salient Features

Made from 100% non magnetic & corrosion free AISI 304-18/8 Stainless steel.

Perfect alignment & mirror finish for smooth flow.

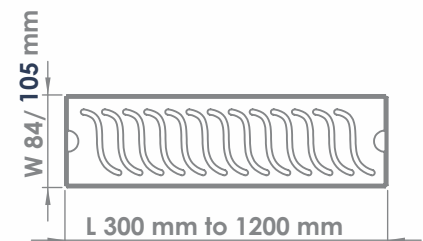
Built in Cockroach Trap (Optional)

Variety of size

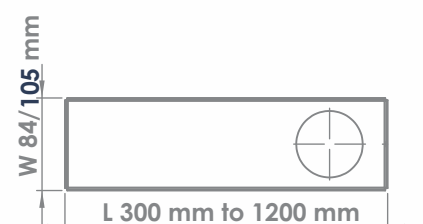
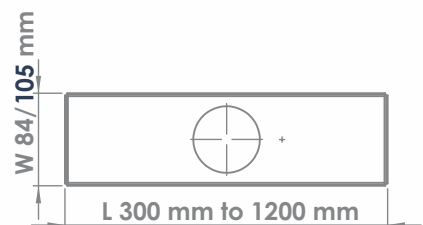


Dimensional Drawing

Regular / Tile Insert



Glass Top

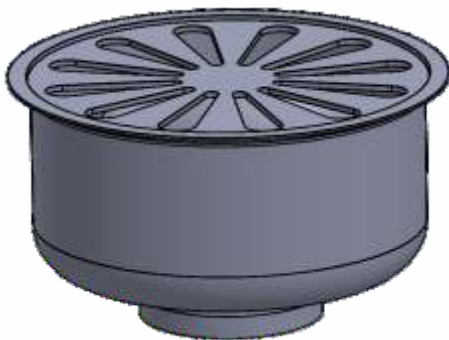
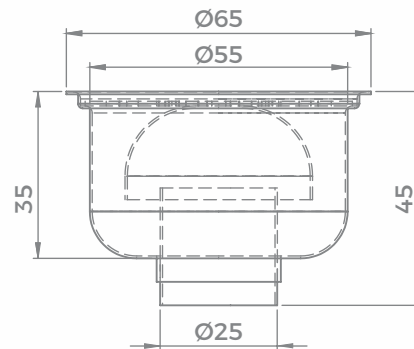
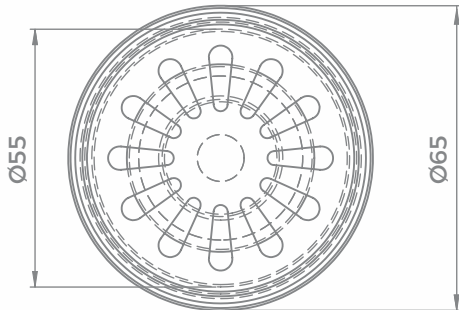


Made from 100% non-magnetic & corrosion free AIS304 Stainless Steel

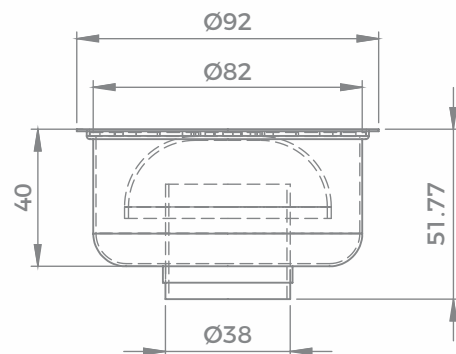
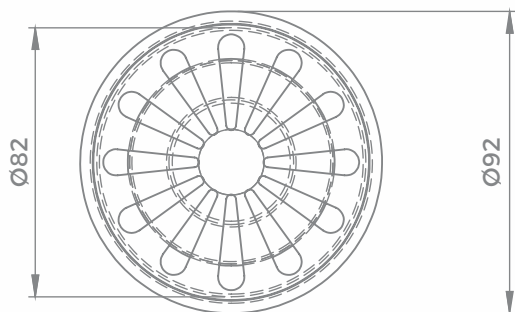
Cockroach Trap For Shower Drain



Size Available: 84 mm Width Trap



Size Available: 105 mm Width Trap



FLOOR DRAINS

Tile/Marble insert Floor Drain

Code: TIFD

Also Available with Cockroach trap

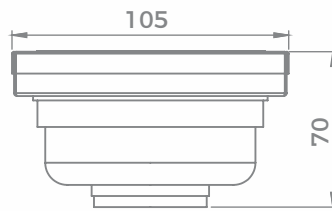
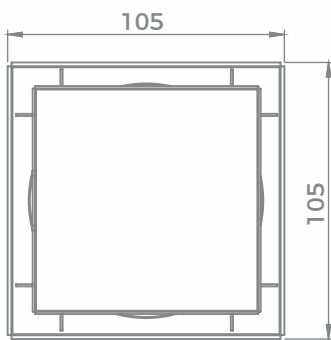
Sizes Available: 105mm x 105mm

125mm x 125mm

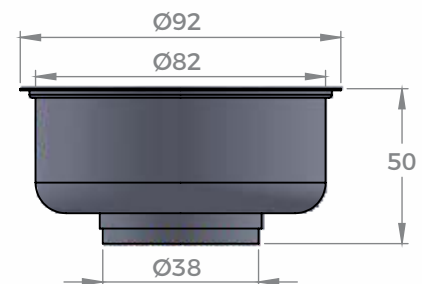
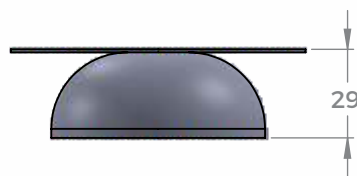
150mm x 150mm



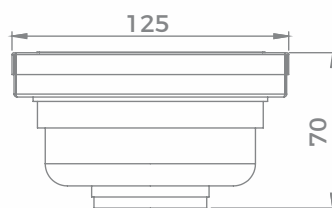
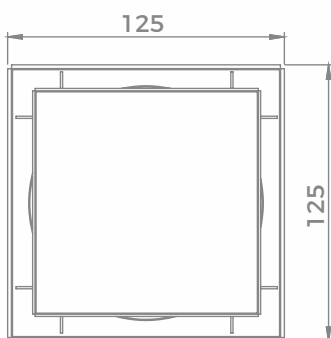
Size: 105x105 mm



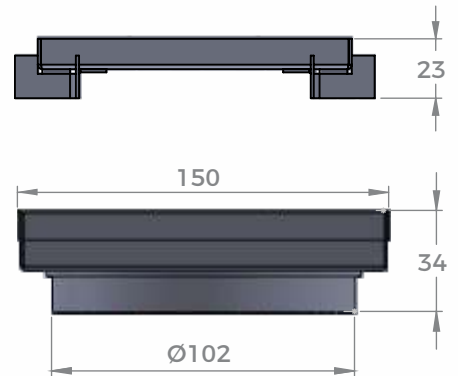
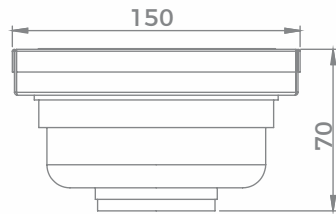
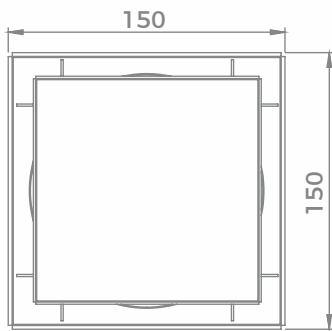
Also Available with
Cockroach Trap
(TIFDC)



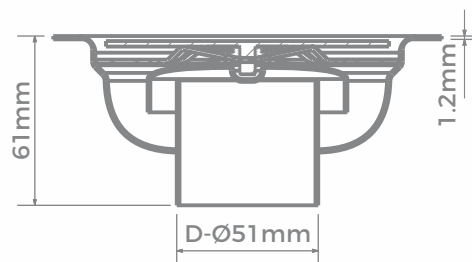
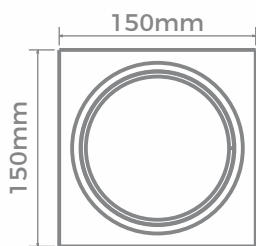
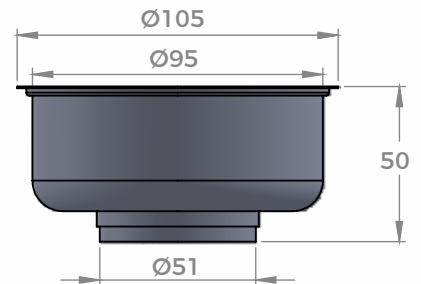
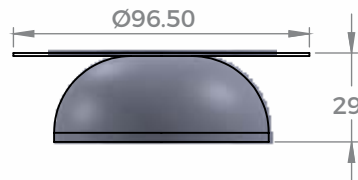
Size: 125x125 mm



Size: 150x150 mm



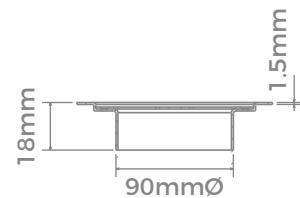
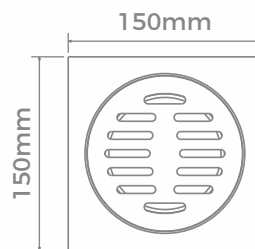
Also Available with
Cockroach Trap
(TIFDC)



Made from 100% non - magnetic & corrosion free AIS304-18/8 Stainless steel

FLOOR DRAINS

Regular Floor Drain



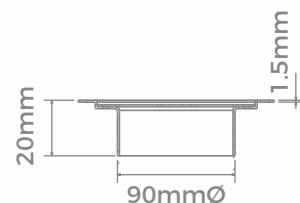
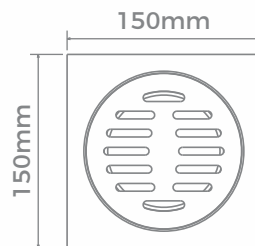
FDR1 - Size mm (LxW) : 150x150, Outlet Dia (mm) : 90

FDR2 - Size mm (LxW) : 125x125, Outlet Dia (mm) : 90

FDR3 - Size mm (LxW) : 130x130, Outlet Dia (mm) : 100

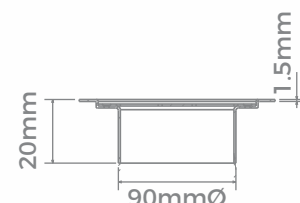
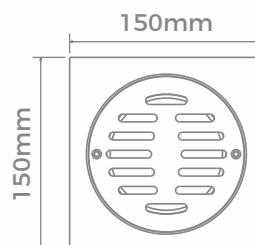
FDR4 - Size mm (LxW) : 80x80, Outlet Dia (mm) : 50

Floor Drain With Twist Lock



FDTL1h - Size mm (LxW) : 150x150, Outlet Dia (mm) : 90

Screw Down Floor Drain

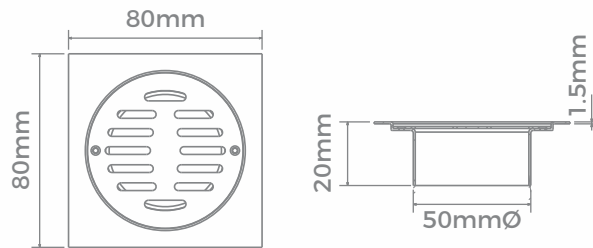


FDSD1 - Size mm (LxW) : 150x150, Outlet Dia (mm) : 90

All Floor Drains are Available In Matt Brushed and Mirror Finish.

Made from 100% non - magnetic & corrosion free AIS304-18/8 Stainless steel

Screw Down Floor Drain



FDSD2 - Size mm (LxW) : 80x80, Outlet Dia (mm) : 50

Pop up Floor Drain



FDPOP
Size mm (LxW) : 150x150 (Gloss)



FDPOP 2
Size mm (LxW) : 125x125 (Matt)

Terrace And Balcony Drains



TD-PLT1
Terrace drain complete with base & Plastic Top
Size mm: 500mmL x 100mmW x 60mmD



TD-SST1
Terrace drain complete with base & SS top
Size mm: 500mmL x 100mmW x 60mmD



TD-SST2
Terrace drain complete with base & SS top
Size mm: 500mmL x 100mmW x 60mmD



TD-OTLT
Terrace Drain Outlet
Size mm: 50mmDia



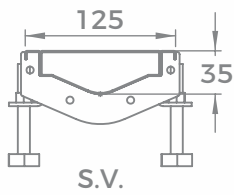
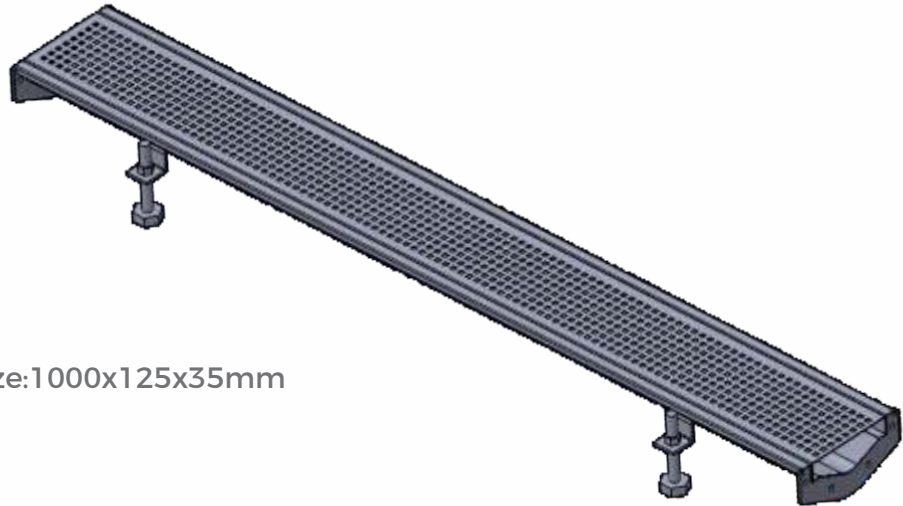
TD-EFL
Terrace Drain End Flange

Material Specifications:

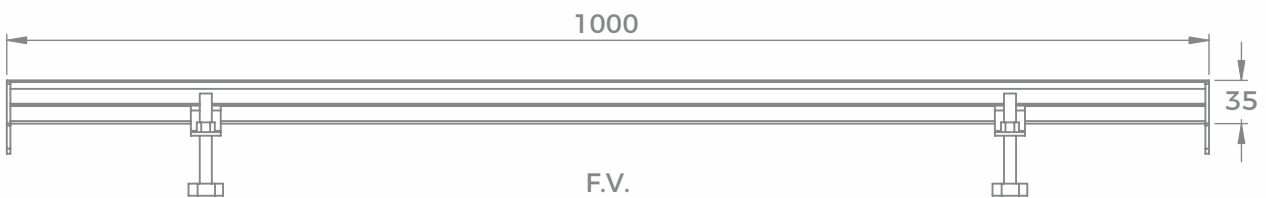
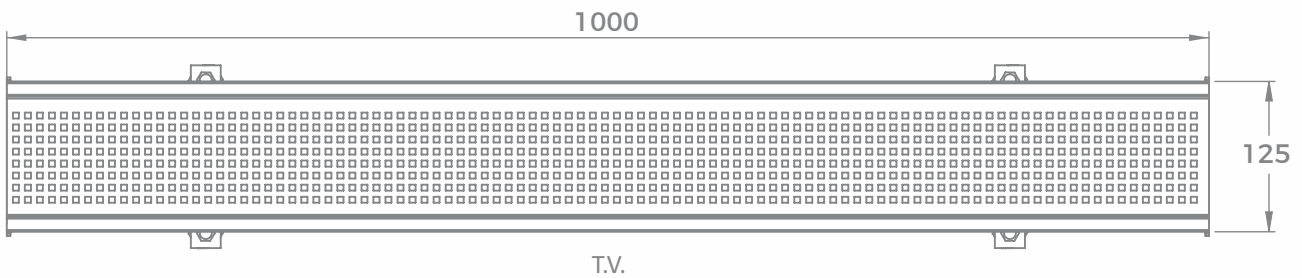
Base: Glass Filled Nylon, **Top:** PLT1 - Glass Filled Nylon, **Top:** SST1/SST2 - AIS304-18/8 Stainless Steel

Can be Customised

Industrial Floor Drain

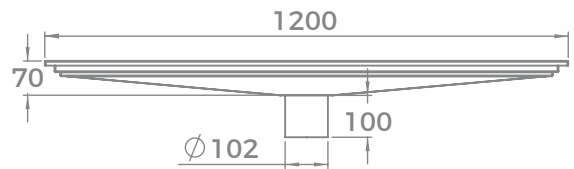
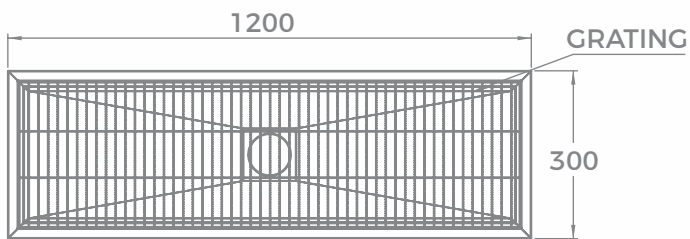
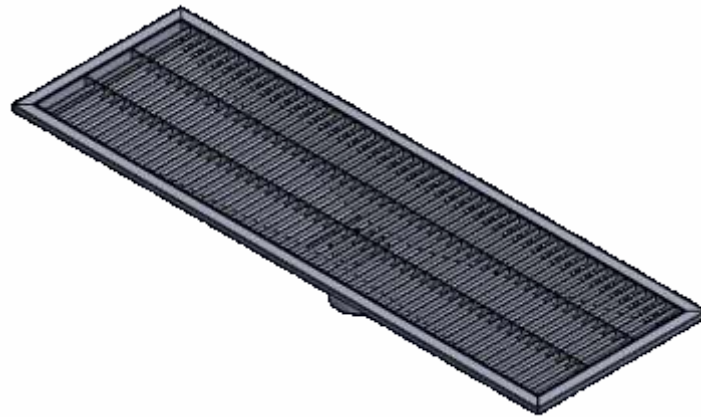


Size:1000x125x35mm

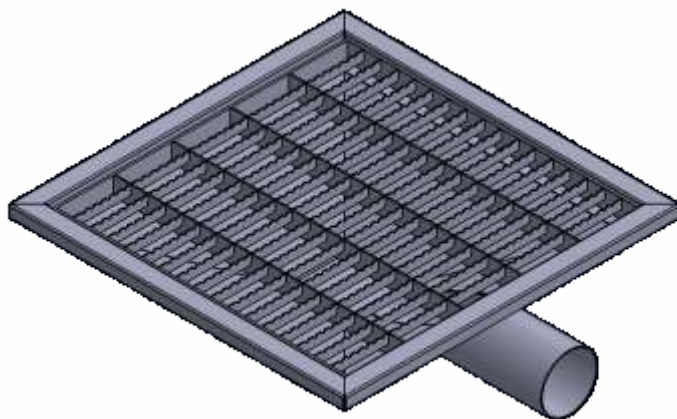


Made from 100% non - magnetic & corrosion free AIS304-18/8 Stainless steel

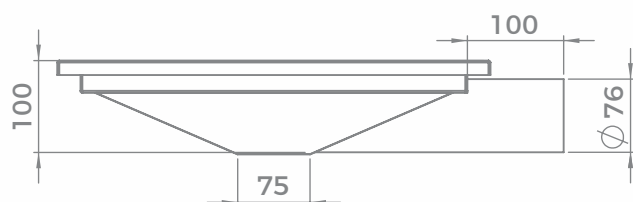
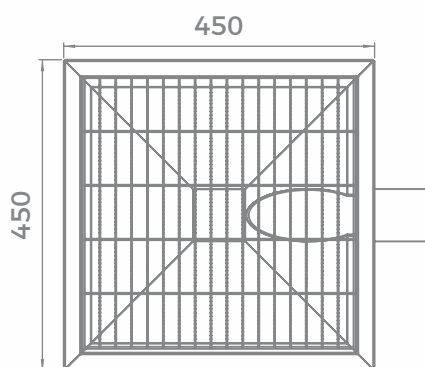
Hotel Kitchen Drain



Hotel Kitchen Floor Drain



Size:450x450x100mm



SHOWER DRAIN GUIDE

Shower Drain Guide

The particulars of any drain installation depend on a number of variables: site conditions, waterproofing, and type of installation. AKDANUM is providing general guidelines below to assist in determining the correct product choice for your project. Always use a licensed professional when installing our products.

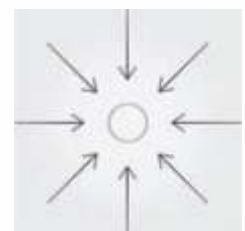
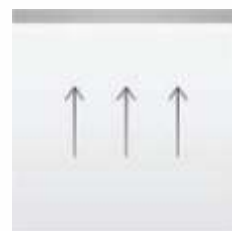
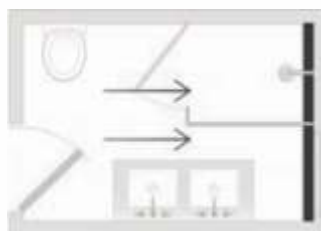
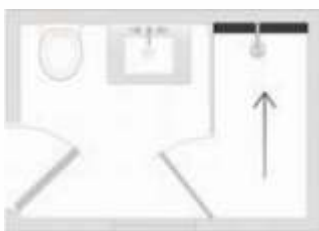
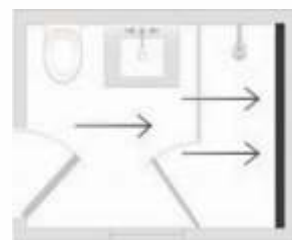
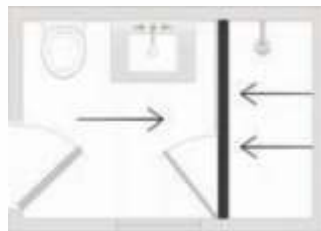
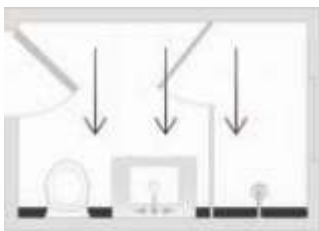
Please contact us with questions regarding your specific installation.

Locating Shower Drains

A shower drain allows the use of larger format floor tile and the ability to pitch the floor in one direction. This offers an advantage from the traditional center drain installation, where the floor must slope in four directions in order to properly drain the water.

Wall-to-Wall

One way to ensure proper drainage is to install the shower drain for the maximum width/length of the shower area. Along with standard sizes as listed, we offer customized lengths too, to fit wall to wall.



Shower Drain Slope in one direction, use any size materials.

Center Drain Slope to middle, must use small materials.



Tile Insert Floor Drain: Center Pitch Installation

Recommended for this product is a center pitch installation places the drain in the middle of the wet area. The floor is pitched in four directions towards the drain.

Care & Maintenance: AKDANUM Shower Drain's are made of 304g stainless steel This material is non-porous, hygienic, rust-free and extremely durable. We recommend a mild soap and a soft cloth for cleaning. DO NOT use any abrasive cleaners, scrub pads or allow household cleaning agents, such as bleach, sit on your drain cover for a long period of time. Stainless steel does not rust. External factors may have caused "surface" rust which can be removed by a soft Bleach.

Made from 100% non - magnetic & corrosion free AIS304-18/8 Stainless steel

OUR RANGE OF PRODUCTS



Mizzle Shower Partitions and Enclosures Vol. I



Sensor Taps Vol. V



Shower Drains Vol. IV



Bathroom Accessories Vol. II



Floor Drains Vol. IV



Magnifying mirrors Vol. II



Mirror Cabinets Vol. III



LED Mirror Vol. III

Everyday Indulgence

WE ARE GROWING . . .

- Ahmedabad
- Indore
- Jalgaon
- Akola
- Nagpur
- Gondia
- Aurangabad
- Nashik
- Jalna
- Mumbai
- Lonavala
- Ahmednagar
- Pune
- Latur
- Baramati
- Satara
- Karad
- Sangli
- Chiplun
- Ratnagiri
- Kolhapur
- Sholapur
- Ichalkaranji
- Miraj
- Hyderabad
- Mapusa
- Panjim
- Goa
- Hubli
- Margao
- Belgaum
- Mangalore
- Cannanore
- Chennai
- Bangalore
- Coimbatore


M/s A.K.DANUM & Co,

Regd Off: AKDANUM DESIGN LOUNGE, Sai Gaurav,
A Wing, 2040 Jan Mohd St., PUNE - 411 001. INDIA

Tel No: +91 20 26340064 / 26340062

Customer Care: +91 20 26333734

Email : contact@akdanum.com / sales@akdanum.com

 <https://www.facebook.com/akdanum>

www.akdanum.com